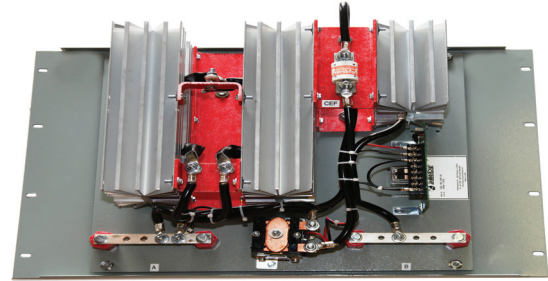




Counter EMF Cell Panel



Front View



Back View

La Marche Counter EMF panels provide a means of reducing the system DC voltage at the load when the charger(s) are set for battery equalize operation. Using voltage sensing relays, contactors and forward biased series silicon diodes the Counter EMF panel maintains the load voltage for a particular system requirement.

A voltage sensing circuit monitors the battery voltage and controls a contactor rated for the total system load current. When the battery voltage is above a preset voltage, the Counter EMF diodes are engaged reducing the DC load voltage values to the required voltage range of the load. When the battery voltage drops below the preset level due to discharge, the contactor is energized, removing diodes, thereby maintaining the load voltage at the required values.

Model Number Chart

Model Number	System Voltage	Current Rating	Voltage Drop	No. of Racks Unit Spaces
CE48-50A-3V23	48 VDC	50	3.2	9
CE48-50A-4V23	48 VDC	50	4.0	9
CE48-100A-3V23	48 VDC	100	3.2	11
CE48-100A-4V23	48 VDC	100	4.0	11
CE48-200A-3V23	48 VDC	200	3.2	19
CE48-200A-4V23	48 VDC	200	4.0	19
CE48-400A-3V23A	48 VDC	400	3.2	20
CE48-400A-4V23A	48 VDC	400	4.0	20

Model Number Nomenclature

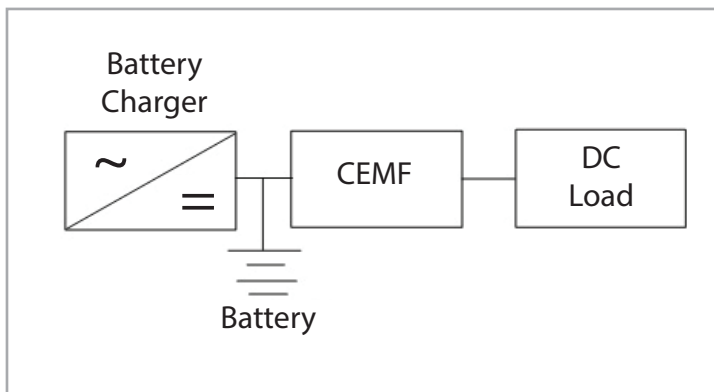
CE 48 - 50A - 4V - 23 () - ()

Counter EMF System Voltage DC Amps Voltage Drop Battery Cell Range Ground Panels Width (Inches)

Ground	
-	Positive
N	Negative

Battery Cell Range

12L	24V
24L	48V



Notes:

1. CEMF Panels listed in the accompanying table are 23” rack mounted. All are available in 19” rack mount. To order 19” rack mount, just change the numeral “23” in the model number to 19” (i.e CE48-400A-4V23 to CE48-400A-4V19)
2. CEMF Panels are for 48 volt systems. All are also available for 24 volt systems. To order a 24 volt panel, just change the numeral “48” to “24” in the model number (ie CE48-400A-4V23A to CE24-400A-4V23A).
3. Heat Baffle included on all CEMF Panels.

